

# Lakso Model 71 Cottoner...

## High speed cottoning for a full range of containers.



The duplex design of the Model #71 offers line speeds up to 200 bottles per minute. By simply raising the machine housing you can easily make changeover adjustments and clean the machine. The entire machine is mounted on an elevating table which is electrically operated, and bottle height adjustments are made with the push of a button. Only two sets of insertion parts and a bottle feed screw are all that is required for changeover. The Model #71 is provided with its own conveying system which incorporates a variable speed drive to suit your line speeds.

This completely automatic machine contains a sensor system which stops and starts the machine according to bottle supply.

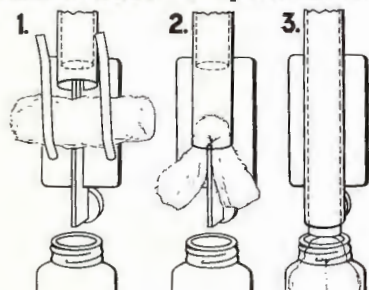
Double acting cotton gripper jaws prevent missed cotton. Double wadding of large bottles is achieved automatically. A continuous-motion feed screw gently feeds containers into and out of cotton insertion stations.

The Model #71 Cottoner has been specifically designed to satisfy the needs of high-speed packaging lines. It is a versatile, automatic machine which provides dependable and efficient service and trouble-free operation.

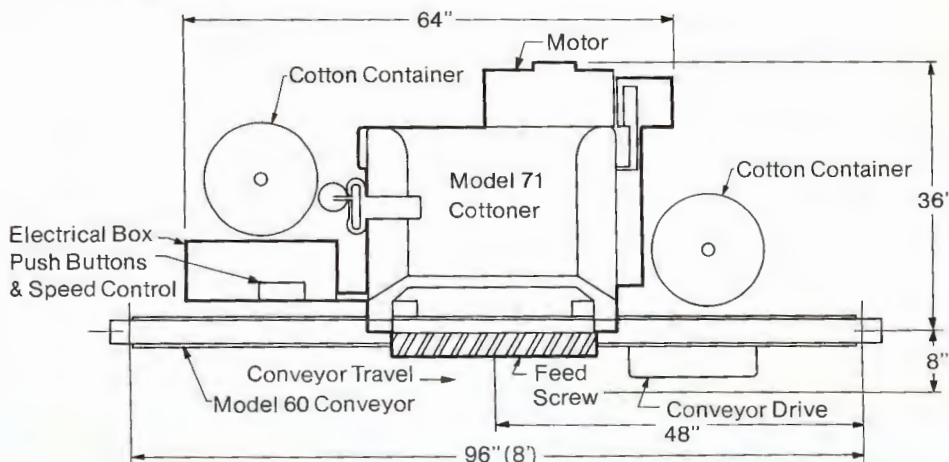
The simplicity of design and construction of the Model #71 contributes to easy change-over and set-up. It employs the inverted "U" technique of inserting cotton and/or rayon coil into the package providing greater product protection. It will automatically feed cotton or rayon up through 26 grams in weight and will insert predetermined lengths up to 7 inches. A heavy duty shear mechanism actually cuts the coil into these lengths eliminating the existence of tears or wisps which may hinder subsequent packaging operations.

Cotton or rayon coil is fed into the machine from two containers thus doubling the running time before reloading is necessary.

### Lakso Model 71 specifications



Operation:	Automatic, with bottle detection switch
Motor:	1 Horsepower
Electrical:	230 or 460 Volt, 60 Cycle, 3 Phase
Weight:	1600 lbs. uncrated; 2100 lbs. crated; 3400 lbs. export crated (Crate size 54" x 83" x 108") with an 8 foot conveyor
Conveyor Height:	36" (Adjustable)
Coil Length:	2-1/2" to 7" single wad, 5" to 14" double wad (Adjustable without change parts.)
Coil Weight:	Up through 26 grams per yard (400 grain), no change in parts
Changeover Time:	30 minutes (Maximum)
Speed Range:	Up to 200 per minute



Maximum machine height with 36" high conveyor, 89".

BROCHURE 7

