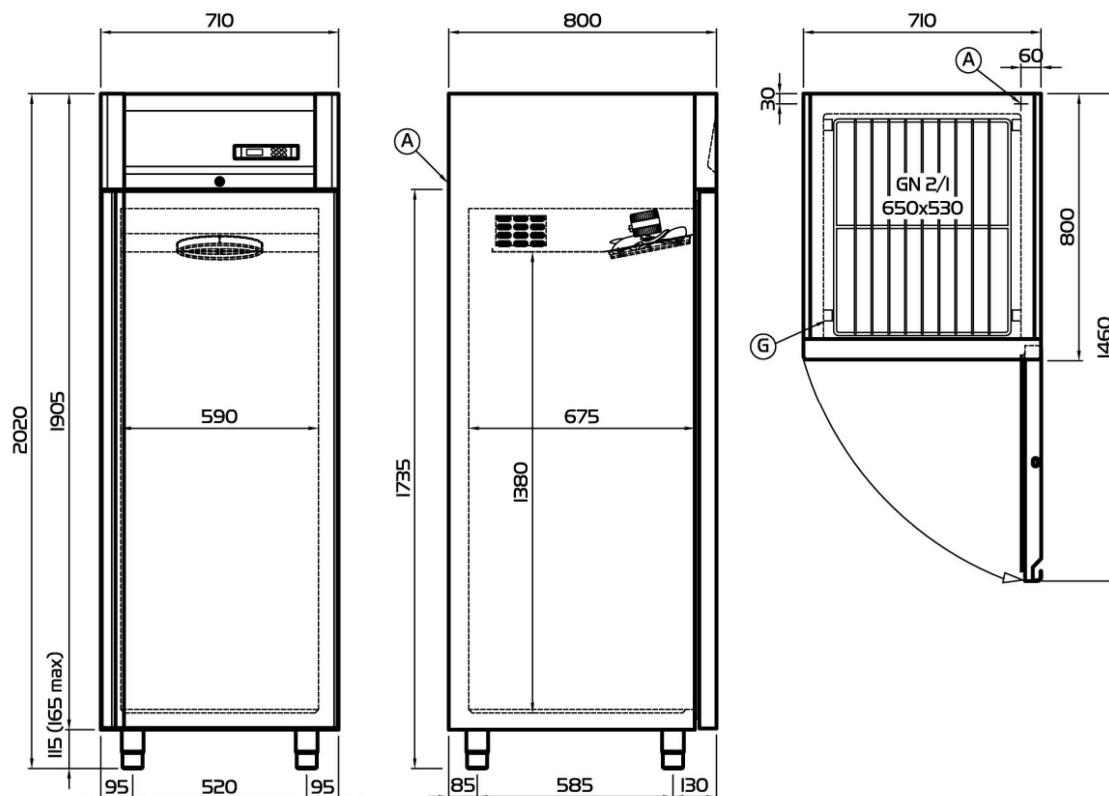
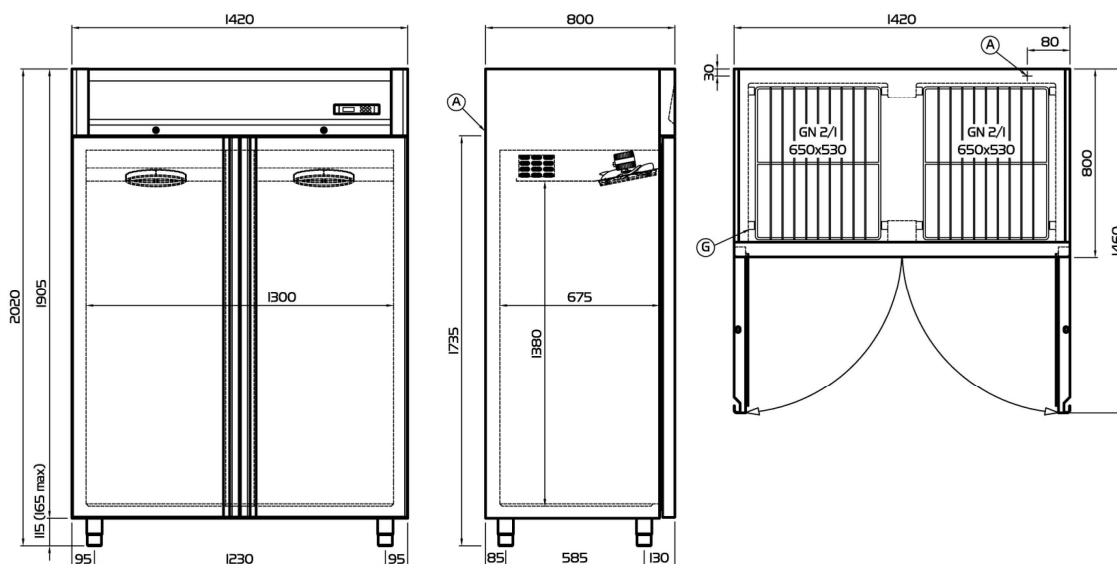


1. Dimensions

Dimensions of models LR700, LR700G, LF700, LRF300 and LDF700



Dimensions of models LR1400, LR1400G and LF1400



Clarification:

(A) Power Supply Cable Outlet

(G) Racks Pitch

40 ← x 30

In case of using our special casters, height will be reduced down to 1985 mm

Slimline[®] **Series**

User Manual, version 1.9

21/10/2011



Laboratory Refrigerators (+1 / +8 °C)

Laboratory Freezers (-18 / -22 °C)

Plasma Freezers (-18 / -35 °C)

Blood Bank Refrigerators (+4 °C)

Combination Fridge / Freezer (+4 / -35 °C)

Failure to read, understand and follow the instructions in this manual may result in damage to the unit, injury to operating personnel and poor equipment performance

Skadi[®] Europe

3. Use

The Slimline equipment is intended for storage of samples within the specified range of temperature.

Every other use is to be considered as not proper. In this case, Skadi Europe shall not be liable under any circumstances.

4. Technical Data

- Voltage	230 volt / 50Hz
- Absorbed power	check on the equipment tag
- Refrigerants	- R404a - R290 natural refrigerant (optional)
- Insulation thickness (CFC free polyurethane)	60mm

Further data is available on the CE serial number tag, applied internally at the upper left wall of the unit.

5. Temperature range

To identify the proper working range of the cabinet, refer to the first code letters, visible on the inner CE serial number tag.

SERIE	TEMPERATURE RANGE
“LR” serie	+1°C to +8°C
“LF” serie	-18°C to -22°C
“LRF” serie	+1°C to +8°C and -30°C to -35°C
“LDF” serie	-18°C to -35°C
“BB” serie	+1°C to +8°C
“BP” serie	-18°C to -35°C
“BBP” serie	+1°C to +8°C and -30°C to -35°C

It is strongly recommended to use the cabinet within the specified range.