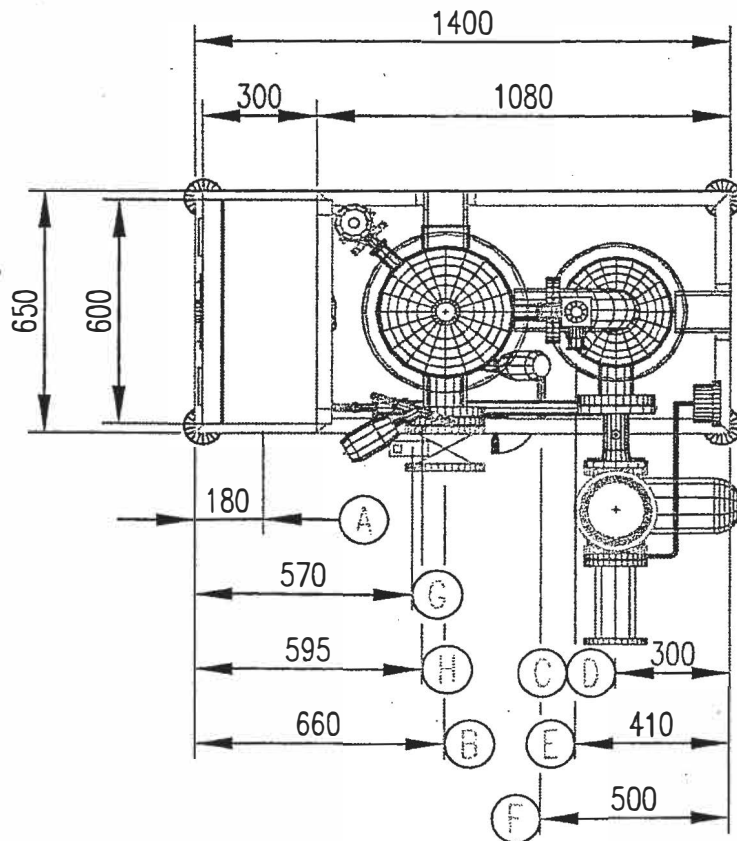
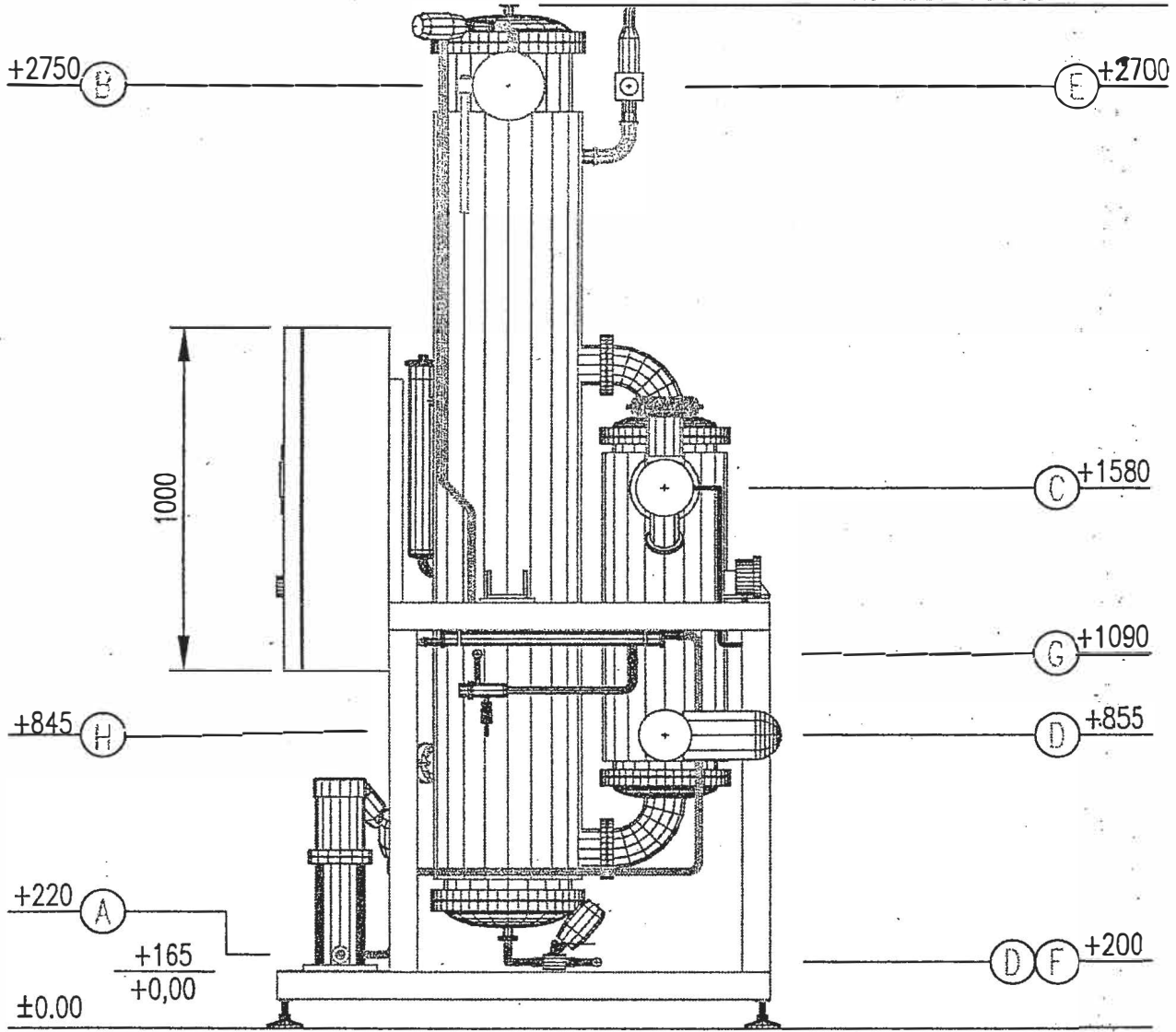
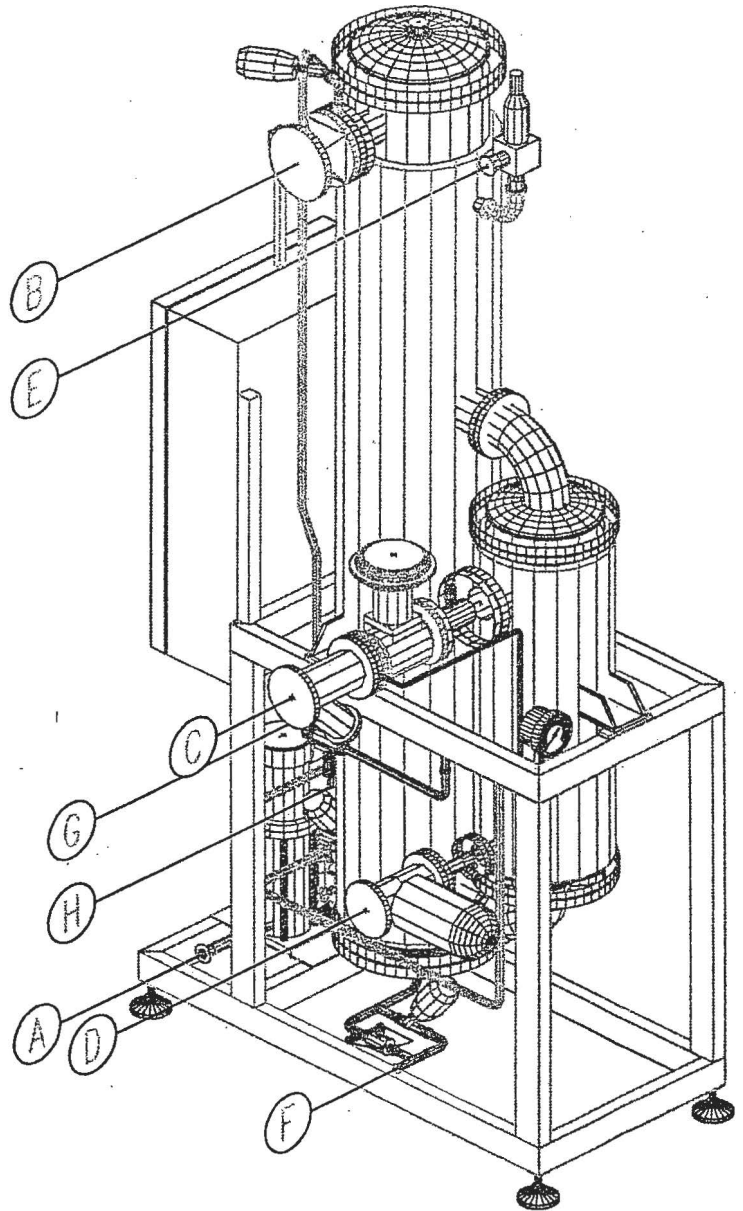


H. MAX +3000




CONNECTIONS & POSITIONS

| | | | |
|---|---------------------------|---------------|-----------|
| A | FEED WATER INLET | 1" | TRICLAMP |
| B | PURE STEAM OUTLET | DN 80 | - PN16 |
| C | HEATING STEAM INLET | DN 50 | - PN16 |
| D | CONDENSATE OUTLET | DN 40 | - PN16 |
| E | SAFETY VALVE DISCHARGE | 1"1/2 | TRICLAMP |
| F | PLANT DISCHARGE | 3/4" | TRICLAMP |
| G | P.S. CONDENSATE DISCHARGE | 1/2" | TRICLAMP |
| H | SAMPLE POINT | | HOSE BARB |
| | ELECTRIC LINE | 400V-50Hz-1Kw | |
| | COMPRESSED AIR | MAX 8 Barg | |



PURE STEAM GENERATOR
STERIPHARMA TYPE GVP 500 SVTI N.F.2908

| 1 | 12-11-2002 | ISSUED FOR CONSTRUCTION (AS BUILT) | FERRI A. | | |
|---|------------|------------------------------------|--------------------------|-------|-------------------|
| 0 | 29-10-2002 | ISSUED FOR CONSTRUCTION | FERRI A. | | |
| REV. | DATE | DESCRIPTION | DRAWN | CHECK | APPROV. |
| REVISIONS | | | | | |
|  PONZINI [®] <small>PONZINI s.r.l. Via W. Marconi, 28-28015 Sesto-Ca-TO-IT Tel. ++39 0374 341841 r.a. Fax ++39 0374 344327</small> | | DESCRIPTION | PURE STEAM GENERATOR | | |
| | | descrizione | STERIPHARMA TYPE GVP 500 | | |
| CUSTOMER -- cliente | | OFFER -- offerta | JOB -- commessa | | |
| DRAWING NR. -- disegno no. | | revision | SHEET | OF | SCALE -- scala |
| 0431-030-C012 | | 1 | foglio | 1 | NR. PIECES -- no. |
| | | | di | 1 | 1 |
| <small>IL PRESENTE DISEGNO E' DI PROPRIETA' DELLA "PONZINI - SORRESINA" E NON POTRA' ESSERE RIPRODOTTO O RESO PUBBLICO COME PREVISTO DAI TERMINI DI LEGGE THE DOCUMENT IS THE PROPERTY OF "PONZINI - SORRESINA" AND CAN NOT BE REPRODUCED OR EXHIBITED AS LEGALLY FORESEEN</small> | | | | | |